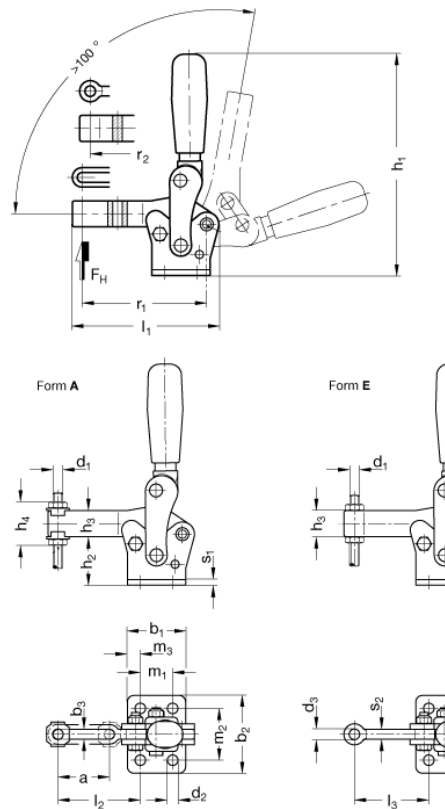


Data Sheet



Article number: 209101540E
 Description: E+G vertical clamp
 GN 910-1540-E

Measures



a	= -	h1	= 330	m1	= 65
b1	= 90	h2	= 76.5	m2	= 65
b2	= 100	h3	= 35	m3	= 12.5
b3	= -	h4	= -	r1	= -
d1	= M16	Holding force N	= 14500	r2	= 167
d2	= 12.5	l1	= -	s1	= 8
d3	= 16.5	l2	= -	s2	= 16
Form E	= 203	l3	= 92.5	Size	= 1540